

FM453 / FM465 / FA453

Check Valves

PN16 / PN25 / ANSI125

Features & Benefits

- Check valves permit flow in one direction only and close automatically if flow reverses
- They are entirely automatic in action, depending upon pressure and velocity of flow to perform the functions of opening and closing
- Also available to ANSI125 - FA453
- Eyebolt tapped holes, to fit bolts to BS EN ISO 3226:2010 (eyebolts are not supplied with product)

Materials

NO.	PART	MATERIAL
1	Body	Cast Iron EN-JL-1040 PN16 / ANSI125 DN50-DN150 Ductile Iron EN-JGS-500-7 PN16 / ANSI125 DN200-DN600 Ductile Iron EN-JGS-500-7 PN25 DN50-DN600
2	Disc	Stainless Steel SS304
3	ID Plate	Anodised Aluminium
4	Seat	EPDM
5	Stop Bolt	Stainless Steel 304
6	Stem	Stainless Steel 304
7	Spring	Stainless Steel 304
8	Washer	PTFE
9	Gasket	EPDM

Dimensions & Weights

SIZE	A (mm)		B (mm)	H (mm)	WEIGHT (KG)		EYEBOLT TAPPING (To BS EN 3226:2010)
	PN16	ANSI 125			PN16	PN25	
DN50	107	102	65	43	1.5	1.5	N/A
DN65	127	121	80	46	2.1	2.1	N/A
DN80	142	133	94	64	3.3	3.2	N/A
DN100	162	162	117	64	4.3	4.0	N/A
DN125	192	192	145	70	6.3	5.9	N/A
DN150	218	218	170	76	8.3	8.1	N/A
DN200	273	273	224	89	13.6		M8
DN250	329	329	265	114	24.2		M8
DN300	384	384	310	114	31.5		M10
DN350	446	446	360	127	52.2		M12
DN400	498	498	410	140	74.0		M12
DN450	550	546	450	152	101.0		M12
DN500	610	603	500	152	121.0		M12
DN600	720	714	624	178	174.0		M12

PRESSURE RATING: FM453: PN16, FA453: ANSI 125, FM465: PN25

TEMPERATURE OPERATING RANGE: -10 to 120°C

UK END CONNECTION: Suitable for flange connection to BS EN 1092-2 PN16 / BS EN 1092-2 PN25

US END CONNECTION: BS 1560, ANSI B16-1, ANSI B16-5

OPERATOR: BS 1560, ANSI B16-1, ANSI B16-5

SPECIFICATION: Face-to-face dimensions conform to BS EN 558 series 16. Suitable for installation in vertical and horizontal pipelines.

When installed in vertical pipelines the flow must be in an upward direction. This valve is suitable for use on Group 2 liquids only, as defined by the Pressure Equipment Directive 97/23/EC.*

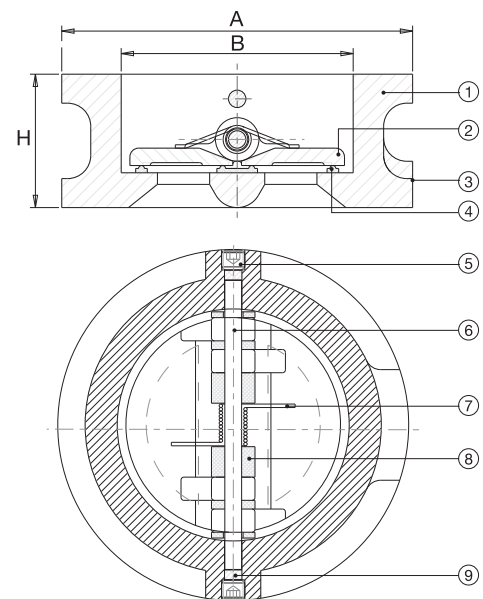
* See page 230 for more information



FM453

GENERAL VALVES

Dimensional Drawing



Valid as of 01/04/12

Every effort has been made to ensure that the information contained in this publication is accurate at the time of publishing. Crane Ltd assumes no responsibility or liability for typographical errors or omissions or for any misinterpretation of the information within the publication and reserves the right to change without notice.