

DM941 / DA941



Fixed Integral Orifice
Double Regulating Valve (FODRV)

PN16 / CLASS 125

Features & Benefits

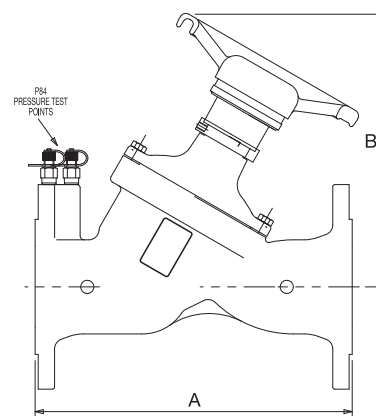
- Single unit Y-Pattern globe valves incorporating an integral orifice plate to form a fixed orifice flow measurement unit with regulation and isolation capacity
- The Double Regulating feature allows the valve to be used for isolation and to be reopened to its pre-set position to maintain required flow rate
- Accuracy of flow measurement is $\pm 5\%$ at all open positions of the valve in accordance with BS 7350: 1990
- Primarily used in injection or other circuits requiring a double regulating valve for system balancing

Materials

PART	MATERIAL
Body	Ductile Iron
Bonnet	Ductile Iron
Bonnet Gasket	Non-asbestos
Disc (All sizes)	EPDM Coated Cast Iron
Disc Bush	Bronze
Stem	410 SS
Gland (65 to 150mm)	Brass
Gland (200 to 300mm)	Cast Iron
Gland Nut	Brass
Packing	Non-asbestos
Seat Ring	Bronze



Dimensional Drawing



Pressure/Temperature Ratings

TEMPERATURE (°C)	-10 to 120
PRESSURE (BAR)	16.0

Ratings align with BS EN 1092-2 PN16 (formerly BS 4504)

Dimensions & Weights

SIZE (DN)	FACE-TO-FACE A (mm)	CENTRE-TO-TOP B (mm)	WEIGHT (kg)
65	290	262	16.3
80	310	267	20.0
100	350	300	28.5
125	400	325	38.0
150	480	340	51.0
200	600	525	124.0
250	730	575	194.0
300	850	645	254.0

Coefficients*

DN (DN)	FLOW (Kv)	HEAD LOSS (K)	KVS
65	93	6.9	90
80	99	6.8	120
100	136	12.7	220
125	229	8.7	342
150	342	8.9	468
200	550	10.3	792
250	1052	6.0	1224
300	1367	7.8	1800

*Fully open position.

SPECIFICATION: Valves conform to requirements of BS 7350: 1990

END CONNECTIONS: DM941 Ends are flanged to BS EN 1092-2 (formerly BS 4504) and DA941 Ends are flanged to ANSI B16.1 Class 125

Every effort has been made to ensure that the information contained in this publication is accurate at the time of publishing. Crane Ltd assumes no responsibility or liability for typographical errors or omissions or for any misinterpretation of the information within the publication and reserves the right to change without notice.

Valid as of 01/04/12