

DM921



Double Regulating Valve (DRV)

PN16

Features & Benefits

- Y-Pattern globe valve with a characterised throttling disc
- The Double Regulating feature allows the valve to be used for isolation and to be reopened to its pre-set position to maintain required flow rate
- In two unit systems, the DM921 has sufficient authority to regulate flow in circuits incorporating a flow measurement device
- The valve opening may be set to control flow at a pre-determined rate
- Fitted with 2 x 1/4" BSPT plugs for conversion to DM931 if required
- Operation of the valve is by means of a hand wheel incorporating a micrometre device

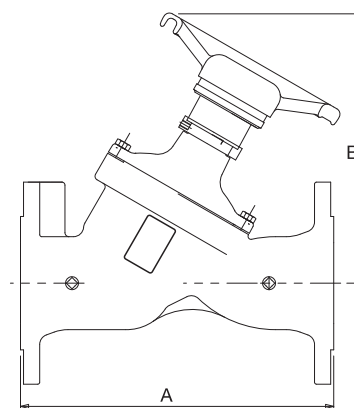


DM921

Materials

PART	MATERIAL
Body	Ductile Iron
Bonnet	Ductile Iron
Bonnet Gasket	Non-asbestos
Disc (All sizes)	EPDM Coated Cast Iron
Disc Bush	Bronze
Stem	410 SS
Gland (65 to 150mm)	Brass
Gland (200 to 300mm)	Cast Iron
Gland Nut	Brass
Packing	Non-asbestos
Seat Ring	Bronze

Dimensional Drawing



Pressure/Temperature Ratings

TEMPERATURE (°C)	-10 to 120
PRESSURE (BAR)	16.0

Ratings align with BS EN 1092-2 PN16 (formerly BS 4504).

Dimensions & Weights

SIZE (DN)	FACE-TO-FACE A (mm)	CENTRE-TO-TOP B (mm)	WEIGHT (kg)
65	290	262	15.8
80	310	267	19.5
100	350	300	28.0
125	400	325	37.5
150	480	340	50.5
200	600	525	123.0
250	730	575	192.0
300	850	645	251.0

Coefficients*

SIZE (DN)	FLOW (Kv)	HEAD LOSS (K)
65	85	4.9
80	111	5.5
100	146	9.2
125	250	7.3
150	380	6.5
200	600	7.8
250	1211	4.6
300	1521	6.0

*Fully open position.

END CONNECTIONS:

Ends flanged to BS EN 1092-2 PN16.

Every effort has been made to ensure that the information contained in this publication is accurate at the time of publishing. Crane Ltd assumes no responsibility or liability for typographical errors or omissions or for any misinterpretation of the information within the publication and reserves the right to change without notice.