

DM900

Flow Measurement Device (FMD)

ProBalance

PN25



Features & Benefits

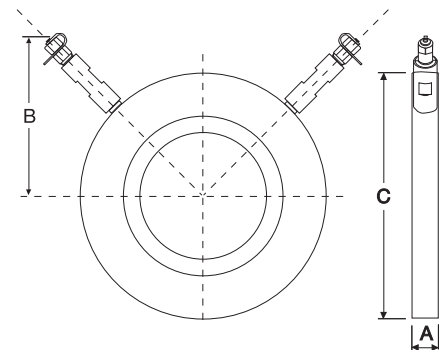
- DM900 is a stainless steel orifice plate which has a square edged entrance
- The two stainless steel extension tubes are fitted with Crane P84 pressure test points
- Accuracy of flow measurement at normal velocities is $\pm 3\%$
- DM900 can be used as a single unit or close coupled to other regulating or isolating valves to provide accurate flow measurement
- Suitable for use with PN10, PN16, or PN25 flanges or flanged valves with ratings detailed in the appropriate flange or valve product standard

Please see below or consult Crane Fluid Systems technical team for more information on Installation

Materials

PART	MATERIAL
Orifice and Carrier	Stainless Steel
Extension Tubes	Stainless Steel
Pressure Test Points (P84)	DZR

Dimensional Drawing



Dimensions & Weights

SIZE (DN)	FACE-TO-FACE A (mm)	CENTRE-TO-TOP B (mm)	OUTSIDE DIAMETER C (mm)	WEIGHT (kg)	SIZE (DN)	FLOW (Kv)	HEAD LOSS (K)	KVS
20	18	116	63	0.7	20	6.0	9.6	4.7
25	18	119	73	0.8	25	11.6	6.6	8.6
32	18	124	84	1.0	32	23	5.1	16.6
40	18	127	94	1.1	40	35	4.0	24.5
50	18	131	109	1.4	50	72	2.5	46.1
65	18	114	129	1.5	65	154	1.5	90
80	18	120	144	1.8	80	220	1.4	120
100	18	127	164	2.2	100	373	1.4	220
125	18	137	194	2.6	125	570	1.4	342
150	18	147	220	3.0	150	789	1.5	468
200	18	167	275	4.4	200	1383	1.6	792
250	18	187	331	5.7	250	2122	1.7	1224
300	18	207	386	7.1	300	3116	1.6	1800
350	21	216	444	12.4	350	2754	2.6	1795
400	21	235	495	14.5	400	3573	2.6	2334
450	21	256	555	18.0	450	4583	2.6	2981
500	21	278	617	22.1	500	5686	2.6	3700
600	25	319	734	36.1	600	8229	2.6	4491

Coefficients

Pressure/Temperature Ratings

TEMPERATURE (°C)	-10 to 120
PRESSURE (BAR)	25.0

When fitted with P84 pressure test points, the DM900 is limited to 120°C max.

For use at temperatures above 120°C, suitable alternative pressure test points should be fitted

For temperatures between 120 - 180°C, replace P84 with P82

*Larger sizes available on application. *Except pressure rating exceeds BS.

PRESSURE RATING: PN25

SPECIFICATION: The DM900 Conforms to BS 7350:1990*

END CONNECTIONS: can be mounted between valve and/or pipe flanges to BS EN 1092-1+2 with PN10, PN16 or PN25 ratings. The outside diameter ensures a proper alignment when installed between PN10/16 flanges and PN25 flanges up to 80mm size. When assembling between PN25 flanges sized 100mm and larger, ensure the device has been correctly centred with the mating flanges.

Valid as of 01/04/12

Every effort has been made to ensure that the information contained in this publication is accurate at the time of publishing. Crane Ltd assumes no responsibility or liability for typographical errors or omissions or for any misinterpretation of the information within the publication and reserves the right to change without notice.