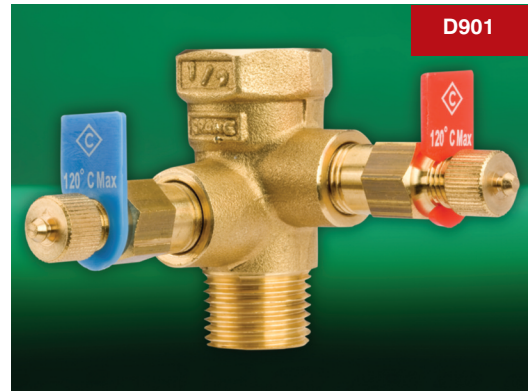


## D901 / D902

Flow Measurement Device (FMD)



### Features & Benefits

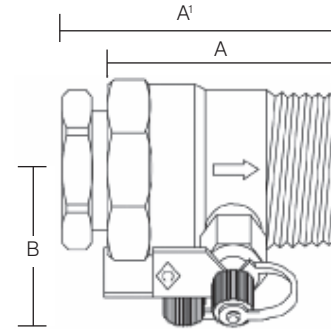
- **D901** Flow Measurement Device is suitable for systems where pipes have been sized on the basis that pipe frictional losses lie in the range 100 to 400 Pa/m
- **D902** Flow Measurement Device (1/2"/15mm size only) is suitable for the measurement of ultra-low flows in the range 0.015 to 0.06 l/sec e.g. flows to fan coil units
- Square edged entrance orifice plates with tappings for P84 insertion style test points
- Flow measurement accuracy of  $\pm 3\%$

**Please note: The fitting of P82 test points will give an increased temperature rating of 180°C.**

### Materials

PART	MATERIAL	SPECIFICATION
Body and Integral Orifice	DZR copper alloy	BS EN 12165 CW602N
P84 Pressure Test Point	DZR copper alloy	BS EN 12164 CW602N

### Dimensional Drawing



### Dimensions, Coefficients & Weights

FIG. NO.	SIZE	END TO END		CENTRE-TO-TOP B (mm)	FLOW (Kv)	HEAD LOSS (K)	KVS	WEIGHT (kg)
		A (mm)	A1 (mm)					
D901	1/2"/DN15	57	66	55	2.8	13.5	2.2	0.29
	3/4"/DN20	58	-	61	6.1	9.1	4.7	0.30
	1"/DN25	66	-	65	11.9	6.1	8.6	0.40
	1 1/4"/DN32	72	-	71	23.4	4.8	16.6	0.50
	1 1/2"/DN40	72	-	73	36.2	3.7	24.5	0.54
	2"/DN50	82	-	79	71.6	2.4	46.1	0.77
D902	1/2"/DN15	57	66	55	0.57	333	0.54	0.29

### Pressure/Temperature Ratings

#### Threaded

TEMPERATURE (°C)	-10 to 100	110	120
PRESSURE (BAR)	25	23.4	21.8

#### Compression

TEMPERATURE (°C)	-10 to 30	65	120
PRESSURE (BAR)	16	10	5

Intermediate pressure ratings shall be determined by interpolation.

Maximum temperature 120°C.

WRAS Approved Product to 99°C.

**Note:** In line with BS EN 1254/2, the maximum pressure must not exceed 16 bar when using compression adaptors.

\*Except pressure rating exceeds BS.

**PRESSURE RATING:** PN25

**SPECIFICATION:** FMDs conform to BS 7350\*:1990.

#### END CONNECTIONS:

**D901** - Sizes 1/2" to 2"

Inlet: BS EN 10226 formerly BS 21 (ISO 7) taper female. Outlet: BS EN 10226 formerly BS 21 (ISO 7) taper male.

**D901/D902** - Sizes 1/2" Inlet: (ISO 228) parallel female supplied with compression adaptor to suit 15mm BS EN 1057: Half hard R250 copper tube.

Outlet: BS EN 10226 formerly BS 21 (ISO 7) taper male. Discard adaptor if connecting steel pipe.

Every effort has been made to ensure that the information contained in this publication is accurate at the time of publishing. Crane Ltd assumes no responsibility or liability for typographical errors or omissions or for any misinterpretation of the information within the publication and reserves the right to change without notice.