

## D138

### Bronze Swing Check Valve with Metal Disc



PN25

D138



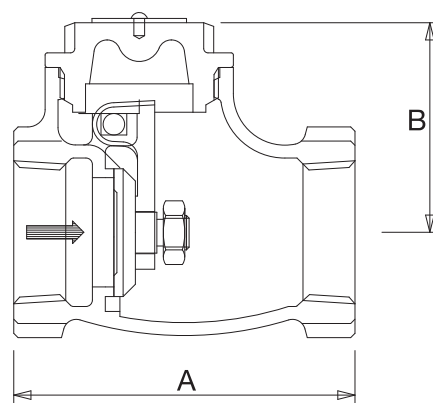
#### Features & Benefits

- Check valves permit flow in one direction only and close automatically if flow reverses.
- Entirely automatic in action, depending upon pressure and velocity of flow within the line to perform their functions of opening and closing
- The Crane D138 Bronze check valve is of the swing variety.
- This valve carries the British Standards Institution kitemark

#### Materials

NO.	MATERIAL	SIZES
Body	Bronze BS EN 1982 CC491K	All
Cap	Bronze BS EN 1982 CC491K	All
Disc	Brass BS EN 12164 CW614N	3/8 - 1
Disc	Bronze BS EN 1982 CC491K	1 1/4 - 3
Hinge	Bronze BS EN 1982 CC491K	All
Hinge Pin	Stainless Steel	3/8 - 2
Hinge Pin	Stainless Steel ASTM A182 Gr.F316	2 1/2 & 3
Hinge Nut	Brass BS EN 12164 CW614N	All
ID Plate	Aluminium	All
Drive Pin	Steel - Electro Brassed	All
Hinge Pin Plug	Brass BS EN 12164 CW614N	2 1/2 & 3

#### Dimensional Drawing



#### Dimensions & Weights

SIZE (inch)	WEIGHT (kg)	A (mm)	B (mm)
3/8	0.19	48	33
1/2	0.32	58	38
3/4	0.43	66	42
1	0.61	80	49
1 1/4	1.01	89	56
1 1/2	1.34	95	65
2	2.12	108	76
2 1/2	4.08	155	98
3	5.76	190	99

#### Pressure/Temperature Ratings

TEMPERATURE (°C)	-10 to 100	110	120	186
PRESSURE (BAR)	25.0	23.4	21.8	10.5

Intermediate pressure ratings shall be determined by interpolation.

**PRESSURE RATING:** PN25

**TEMPERATURE OPERATING RANGE:** -10 To 180°C

**UK END CONNECTION:** Taper threaded to BS EN 10226-2 (ISO 7-1) formerly BS 21

**US END CONNECTION:** ANSI B1.20.1 (please add suffix AT to denote American Thread)

**OPERATOR:** Swing Type Check Valve

**SPECIFICATION:** Metal Disc, Screwed in Cap, BSI Kitemark approved.

Valves are manufactured in accordance with BS5154:1991 PN25 for Series B ratings.

This valve is not suitable for use on Group 1 gases or unstable fluids, as defined by the Pressure Equipment Directive 97/23/EC.\*

\* See page 230 for more information

Every effort has been made to ensure that the information contained in this publication is accurate at the time of publishing. Crane Ltd assumes no responsibility or liability for typographical errors or omissions or for any misinterpretation of the information within the publication and reserves the right to change without notice.